

Accessory Structure Anchoring Guideline

This document is to be used only as a guide. All documents relating to the build and/or installation of the structure are required for permitting.

- NOTES:**
1. ANCHORS PLACED AT 24" MAX FROM END OF BUILDING.
 2. MINIMUM OF TWO ANCHORS EACH SIDE OF BUILDING.
 3. ANCHORS SHOULD BE SPACED AS EQUAL AS POSSIBLE.

SCHEDULES FOR ANCHORS PLACED VERTICAL INTO GROUND

ANCHORING SCHEDULE FOR 90 TO 115 MPH WIND SPEED, EXPOSURE "C"																	
BLDG WIDTH	NUMBER OF ANCHORS EACH SIDE																
	MAX SPACING	6'-0"	8'-0"	10'-0"	12'-0"	14'-0"	16'-0"	18'-0"	20'-0"	22'-0"	24'-0"	26'-0"	28'-0"	30'-0"	32'-0"	34'-0"	36'-0"
6'-0"	8'-6"	2	2	2	2	3	3	3	3	4	4	4	4	4	5	5	5
8'-0"	9'-0"	2	2	2	2	3	3	3	3	3	4	4	4	4	5	5	5
10'-0"	7'-6"	2	2	2	3	3	3	3	4	4	4	4	5	5	5	5	6
12'-0"	11'-0"	2	2	2	2	2	3	3	3	3	3	3	4	4	4	4	4
14'-0"	10'-6"	2	2	2	2	2	3	3	3	3	3	4	4	4	4	4	5

ANCHORING SCHEDULE FOR 116 TO 135 MPH WIND SPEED, EXPOSURE "C"																	
BLDG WIDTH	NUMBER OF ANCHORS EACH SIDE																
	MAX SPACING	6'-0"	8'-0"	10'-0"	12'-0"	14'-0"	16'-0"	18'-0"	20'-0"	22'-0"	24'-0"	26'-0"	28'-0"	30'-0"	32'-0"	34'-0"	36'-0"
6'-0"	6'-0"	2	2	2	3	4	4	4	5	5	5	6	6	6	7	7	7
8'-0"	6'-0"	2	2	2	3	4	4	4	5	5	5	6	6	6	7	7	7
10'-0"	5'-0"	2	2	3	4	4	5	5	5	6	6	7	7	7	8	8	9
12'-0"	7'-0"	2	2	2	3	4	4	4	5	5	5	5	5	6	6	6	7
14'-0"	6'-6"	2	2	2	3	3	3	4	4	4	5	5	5	5	6	6	6

ANCHORING SCHEDULE FOR 136 TO 150 MPH WIND SPEED, EXPOSURE "C"																	
BLDG WIDTH	NUMBER OF ANCHORS EACH SIDE																
	MAX SPACING	6'-0"	8'-0"	10'-0"	12'-0"	14'-0"	16'-0"	18'-0"	20'-0"	22'-0"	24'-0"	26'-0"	28'-0"	30'-0"	32'-0"	34'-0"	36'-0"
6'-0"	4'-0"	2	3	3	4	5	5	6	6	7	7	8	8	9	9	10	10
8'-0"	4'-0"	2	3	3	4	5	5	6	6	7	7	8	8	9	9	10	10
10'-0"	3'-6"	2	3	4	5	5	6	7	7	8	8	9	9	10	11	11	12
12'-0"	5'-0"	2	2	3	4	4	5	5	5	6	6	7	7	7	8	8	9
14'-0"	4'-6"	2	2	3	4	5	5	5	6	6	7	7	8	8	9	9	9

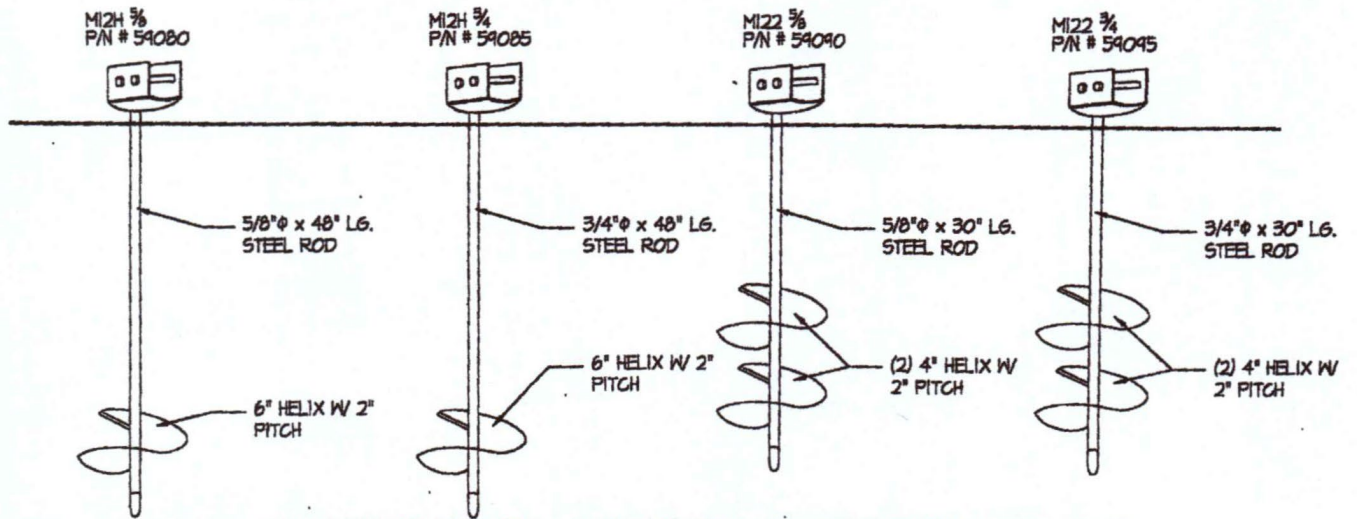
- NOTES:**
1. ANCHORS PLACED AT 24" MAX FROM END OF BUILDING.
 2. MINIMUM OF TWO ANCHORS EACH SIDE OF BUILDING.
 3. ANCHORS SHOULD BE SPACED AS EQUAL AS POSSIBLE.

SCHEDULES FOR ANCHORS PLACED AT 45° INTO GROUND

ANCHORING SCHEDULE FOR 90 TO 115 MPH WIND SPEED, EXPOSURE "C"																	
BLDG WIDTH	NUMBER OF ANCHORS EACH SIDE																
	MAX SPACING	6'-0"	8'-0"	10'-0"	12'-0"	14'-0"	16'-0"	18'-0"	20'-0"	22'-0"	24'-0"	26'-0"	28'-0"	30'-0"	32'-0"	34'-0"	36'-0"
6'-0"	6'-0"	2	2	2	3	4	4	4	5	5	5	6	6	6	7	7	7
8'-0"	6'-0"	2	2	2	3	4	4	4	5	5	5	6	6	6	7	7	7
10'-0"	5'-6"	2	3	3	4	4	4	5	5	5	6	6	7	7	8	8	8
12'-0"	7'-6"	2	2	2	3	3	3	3	4	4	4	4	5	5	5	5	6
14'-0"	7'-6"	2	2	2	3	3	3	3	4	4	4	4	5	5	5	5	6

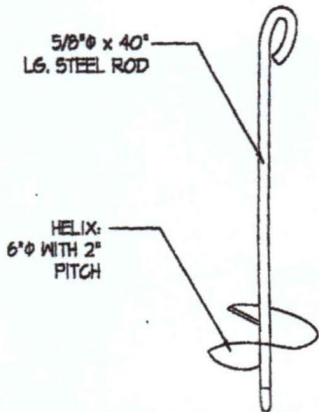
ANCHORING SCHEDULE FOR 116 TO 135 MPH WIND SPEED, EXPOSURE "C"																	
BLDG WIDTH	NUMBER OF ANCHORS EACH SIDE																
	MAX SPACING	6'-0"	8'-0"	10'-0"	12'-0"	14'-0"	16'-0"	18'-0"	20'-0"	22'-0"	24'-0"	26'-0"	28'-0"	30'-0"	32'-0"	34'-0"	36'-0"
6'-0"	4'-0"	2	3	3	4	5	5	6	6	7	7	8	8	9	9	10	10
8'-0"	4'-0"	2	3	3	4	5	5	6	6	7	7	8	8	9	9	10	10
10'-0"	3'-6"	2	3	4	5	5	6	7	7	8	8	9	9	10	11	11	12
12'-0"	5'-0"	2	2	3	4	4	5	5	5	6	6	7	7	7	8	8	9
14'-0"	4'-6"	2	2	3	4	5	5	5	6	6	7	7	8	8	9	9	9

ANCHORING SCHEDULE FOR 136 TO 150 MPH WIND SPEED, EXPOSURE "C"																	
BLDG WIDTH	NUMBER OF ANCHORS EACH SIDE																
	MAX SPACING	6'-0"	8'-0"	10'-0"	12'-0"	14'-0"	16'-0"	18'-0"	20'-0"	22'-0"	24'-0"	26'-0"	28'-0"	30'-0"	32'-0"	34'-0"	36'-0"
6'-0"	3'-0"	2	3	3	4	5	5	6	7	7	8	9	9	10	11	11	12
8'-0"	3'-0"	2	3	3	4	5	5	6	7	7	8	9	9	10	11	11	12
10'-0"	2'-6"	2	3	4	5	5	6	7	8	9	9	10	11	12	13	13	13
12'-0"	3'-6"	2	3	4	5	5	6	7	7	8	8	9	9	10	11	11	12
14'-0"	3'-0"	2	3	3	4	5	5	6	7	7	8	9	9	10	11	11	12

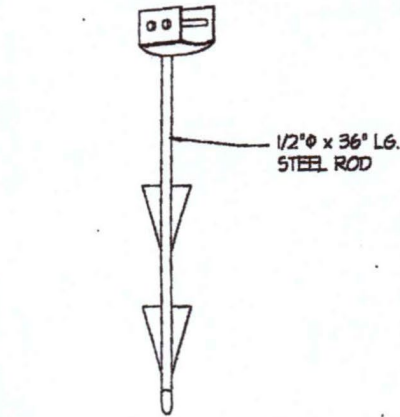


ALL PART NUMBERS AND MODELS SHOWN ARE FOR TIEDOWN ENGINEERING OF ATLANTA, GEORGIA 30336
OTHER MANUFACTURES MAY BE USED PROVIDING THEY ARE EQUAL TO TIEDOWN ENGINEERING

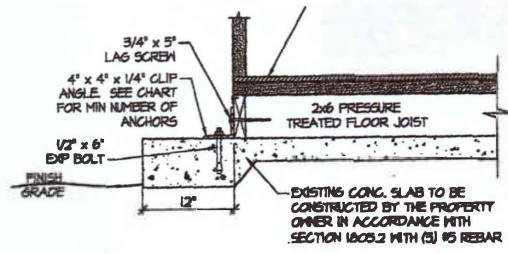
3 DOUBLE HEADED
GROUND ANCHORS
SCALE: N.T.S.



2 EYE ANCHORS
SCALE: N.T.S.

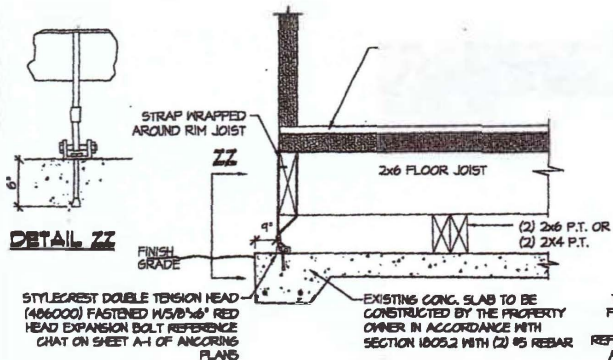


1 CORAL ROCK ANCHOR
SCALE: N.T.S.

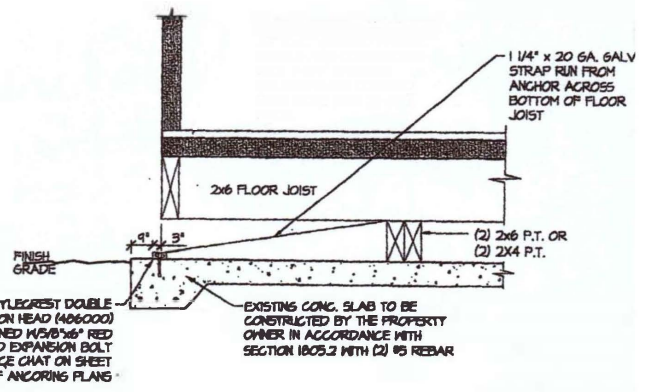


4 SHED BOLTED DIRECTLY TO CONCRETE SLAB
ANCHORING DETAIL
SCALE: N.T.S.

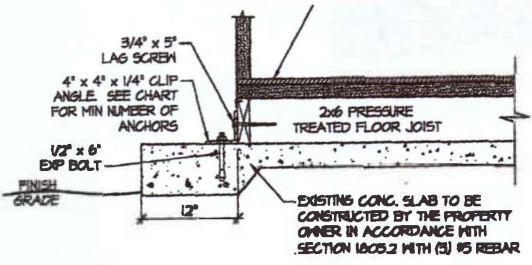
NOTE:
1. HURRICANE CLIPS MUST BE INSTALLED FROM SKID TO FLOOR JOIST FOR THIS DETAIL. REFER TO BUILDING PLANS.



3 ALTERNATE CONCRETE SLAB
ANCHORING DETAIL
SCALE: N.T.S.

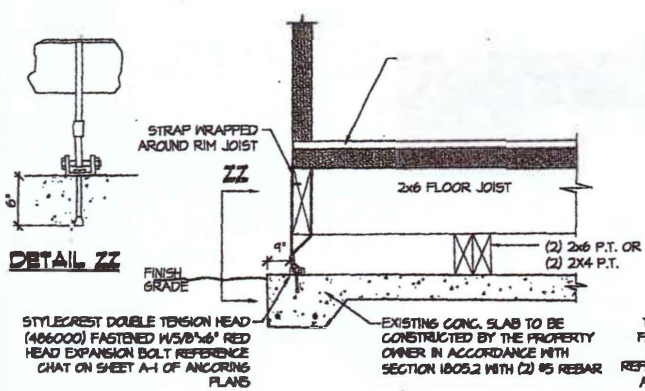


2 STRAP TO ANCHOR IN CONCRETE SLAB
ANCHORING DETAIL
SCALE: N.T.S.

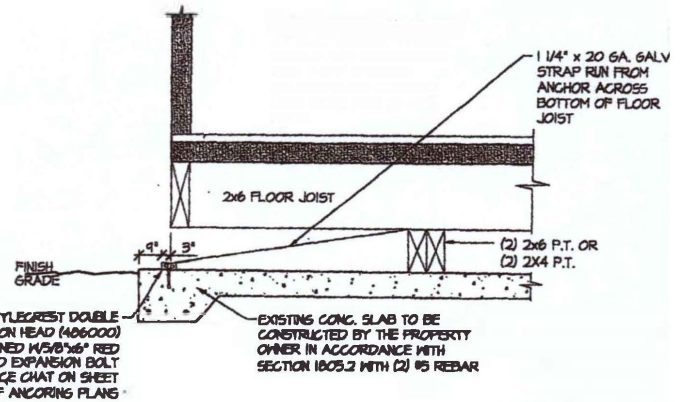


4 SHED BOLTED DIRECTLY TO CONCRETE SLAB
ANCHORING DETAIL
SCALE: N.T.S.

NOTE:
1. HURRICANE CLIPS MUST BE INSTALLED FROM SKID TO FLOOR JOIST FOR THIS DETAIL. REFER TO BUILDING PLANS.



3 ALTERNATE CONCRETE SLAB
ANCHORING DETAIL
SCALE: N.T.S.



2 STRAP TO ANCHOR IN CONCRETE SLAB
ANCHORING DETAIL
SCALE: N.T.S.